

LOCK JOINT UY CONNECTOR



DESCRIPTION

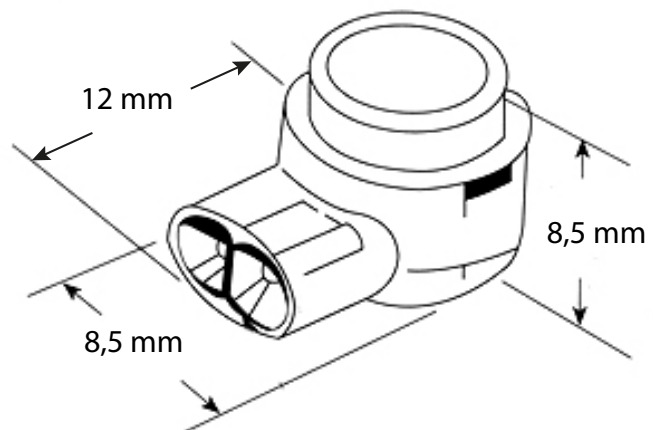
The UY Connector is a butt-type connector which employs a specially designed insulation displacement contact. The contact, which is formed in a U shape, makes a double electrical connection to each wire. The UY Connector will accommodate any combination of two 22 to 26 AWG copper wires from either filled or unfilled plastic insulated cable.

FEATURES

- Quick, easy one-step splicing
- Moisture-resistant sealant protects wires from corrosion
- Use with solid copper single-conductor wire
- Gel filled butt splicing connector for 2 wire application
- For solid wire conductors of 22-26 AWG
- Maximum insulated O.D. of .060 in. (1.52 mm)

SPECIFICATIONS

- 28 kg Max. crimping force for crimping the 2 referenced conductors.
- Dielectric strength 3.0KV Min. at a 60 HZ A.C. testing voltage and a rate of 500 V (R.M.S.)/sec.
- High humidity insulation resistance 105 M ohm Min.
- Water immersion insulation resistance 100 M ohm Min.



ORDER INFORMATION

P/N	Description
CUY-2101	Lock Joint UY Connector